

HELIOSHADE®

CLASSIC SERIES



HELIOSHADE
COLOUR DESIGN

*over 120 standard
frame colours*



 BEAUFORT WIND SCALE
Category 6

 5 YEAR WARRANTY

 **helioscreen**[®]
Intelligent Sun Control Solutions[®]

HELIOSHADE®

CLASSIC SERIES

THE CUSTOM MADE INTELLIGENT SUN CONTROL SOLUTION

An elegant and compact range of awnings, the HELIOSHADE® Classic & Alto Classic offer a stylish awning design to protect you from the elements. The Classic range is mounted via a integrated torque bar with numerous attachment options making the HELIOSHADE® CLASSIC range a universal awning option for a large range of applications. Thanks to the chromatising of all aluminium parts as well as screws and nuts made of marine grade stainless steel, the HELIOSHADE® CLASSIC range is extremely resistant to corrosion. Extension of the awning is by means of a SOMFY motor which is backed by a 5 year warranty and also offers the option of automated sun, wind or rain sensors.

Tested and proven to well over 70,000 full cycles, the multiflex 4 cable system is the strongest of its kind on the market. With daily use this is more than a 200-year life span.

Ideally suited to our harsh Australian conditions the arm system is optimised for long lasting tautness of the fabric under extended heavy use.

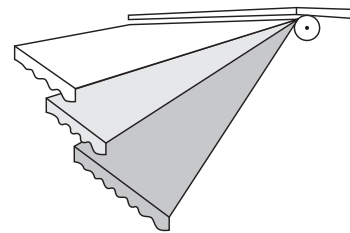


THE ARTICULATED ARMS OF THE HELIOSHADE - THE HEART OF THE AWNING

The articulated arms of the HELIOSHADE® RANGE are characterised by their elegant, eye-catching design and convincing performance. All components have been developed to ensure smooth function and high durability and have proved themselves in very demanding load tests. The use of high-quality extruded sections in combination with joint parts of high-strength die casting and drop-forged arm sections (with a maximum projection of 4500mm) stand for optimal safety even under extreme loads. The specially developed 'multiflex' power band, which is made up of four tear-resistant steel cables sheathed in a highly flexible plastic material, is protected against corrosion and damage. It applies the force of up to three spring movements in the upper arm section and ensures proper tensioning of the fabric.

FLEXIBLE TILT CONTROL (Classic only)

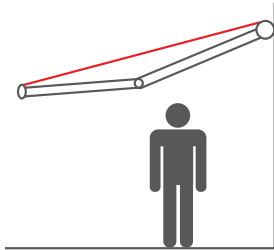
Optional F.T.C. (Flexible Tilt Control) function enables the user to have adjustable pitch control over the angle of the awning on systems up to 6.5 x 3m (6.5x2.5m with V). Operated by a manual gear and hand crank the angle can be adjusted from 0-80 degrees and offers the option to change the angle with the change of seasons or as required.



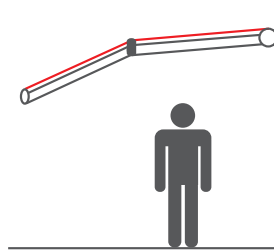
The HELIOSHADE® Classic series offers an intelligent sun control solution for all applications. Whether it be for a large terrace area or a small balcony this range of awnings can offer the answer. The unique pitch plus retractable bar of the HELIOSHADE® ALTO CLASSIC offers increase fabric tension to avoid sagging and increased head clearance for that open and airy feeling or to extend over opening doors.

The optional variovalance is a vertically adjustable valance which can be extended to 1,600mm offering additional privacy and protection from the sun's glare.

CLASSIC



ALTO CLASSIC



VARIOVALANCE

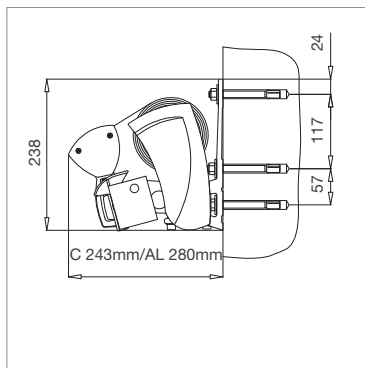


TECHNICAL DATA - CLASSIC SERIES

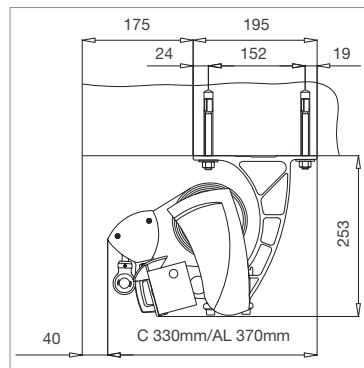
Model	CLASSIC	ALTO CLASSIC
Maximum width	8,000	6,000
Coupling systems	14,000	N/A
Maximum projection	4,000 (*4,500)	4,000
Maximum projection with W	4,000	3,000
Installation angle	5-45°	0-40°
Frame colours	150 + colours	150 + colours
Standard operation	Motor	Motor

(Hand crank possible on small sizes) (*4,500 projection from 5-6.5m wide)

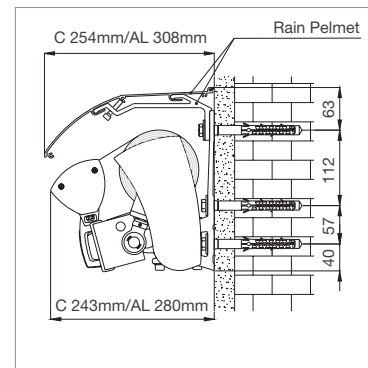
Face fix (dimensions in mm)



Top fix (dimensions in mm)



Optional Rain Pelmet (dimensions in mm)



C= Classic model / AL=Alto Classic model





FURTHER OPTIONS IN THE HELIOSHADE® RANGE



SIDELINE PRIVACY SCREEN

Add sun and wind protection to balconies, terraces and garden areas – and enjoy a high level of privacy in busy neighbourhoods with a durable Sideline privacy screen.

Sideline complements any outdoor area and features a modern European-styled cassette design. Available in a wide variety of colours, high-quality corrosion resistant materials make Sideline a good-looking product that lasts. Sideline privacy screens utilise Helioscreen's external fabrics providing a wide choice of designer colours to perfectly suit your surroundings.

VARIO PERGOLA SYSTEM

Perfect for courtyards, decks and outdoor living areas, the Vario-Pergola self-supporting sunroof systems adds a new dimension to the Helioscreen range of external sun control solutions.

The Vario-Pergola is suitable for a wide variety of applications and is more flexible than traditional awning products. Lightweight but robust, the Vario-Pergola is based on the popular Varioscreen system and comes with built water gutters on the side channels allowing outdoor areas to be utilised in light rain. Available in an extensive range of colours, the Vario-Pergola is an ideal addition to any building and extends your outdoor living space – all year round.

HELIOSCREEN'S INDOOR AND OUTDOOR RANGE

- 🛡️ 90% Reduced Heat Radiation 🌬️ Windsensor Retractor
- 🔒 5 Years Warranty ⚡ Powered by Somfy 5 year motor warranty

Includes: Roller blinds, Roman blinds, Panel glides, Blackouts, External screens
Retractable sunroofs, Awnings, External venetians.

For further information

Helioscreen Australia Pty Ltd – Located Australia Wide
www.helioscreen.com.au | enquiries@helioscreen.com.au | Phone 1300 766 319


Intelligent Sun Control Solutions®